



EVERYTHING FOR THE LAB

*Biotech AB – your single provider of
HPLC and fluidic scientific
customized parts & assemblies*

DEGASi[®] Compact Degasser



*“stand alone on-line degasser with
the smallest footprint available”*

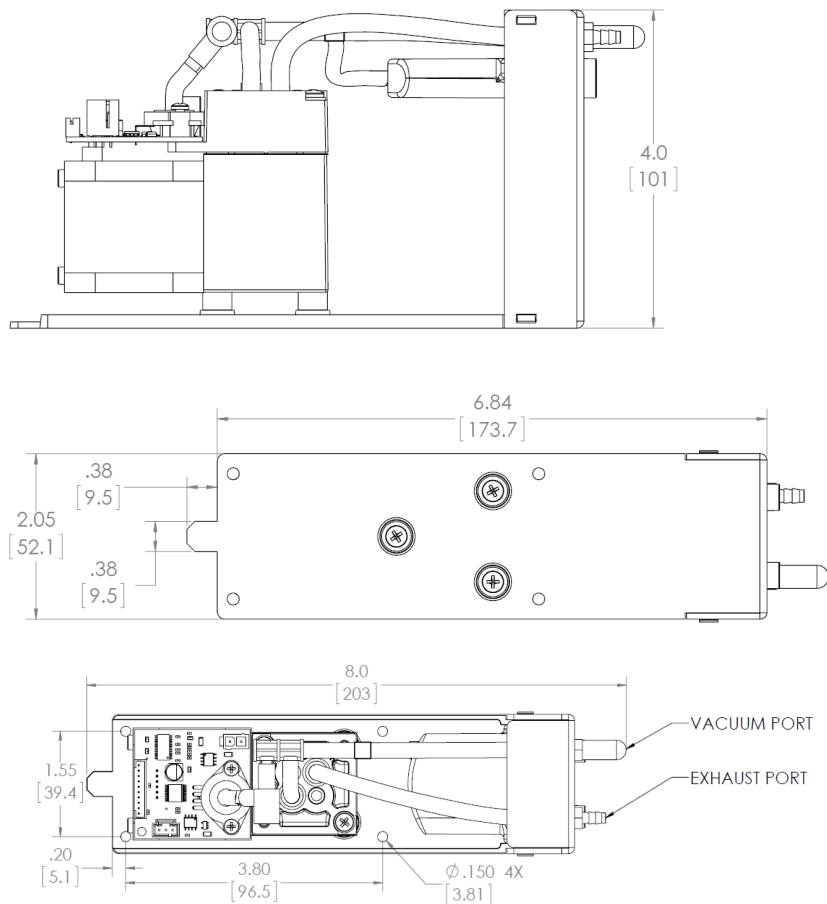


OEM Configuration

0001-6683, 0001-6685, 0001-6687

0001-6683, 0001-6685, 0001-6687 are degassing assemblies that includes a vacuum pump, degassing channels of 285 ul chambers (1 to 6 channel), and a Smart Board pump controller. These components are mounted in an open-frame polypropylene bracket for assembly into an OEM product.

The Compact degasser is available with 2, 4 or 6 degassing channels in a housing with only 173x54x101 mm footprint. This is possible due to development of a new single-stage vacuum pump with a small built in control board and new 285 µl Systec AF™ vacuum chambers. Closed loop control with a continuously running vacuum pump gives a very smooth baseline. The speed of the pump is varied to maintain an exact vacuum level inside the vacuum chambers. The degasser is equipped with built in error detection functionalities. A bi-color LED on the front panel gives information about the performance. Despite the small size of the unit it has an expected life time of more than 6 years.



GENERAL SPECIFICATIONS

Dimensions:

W 54 L 173 H 101 mm

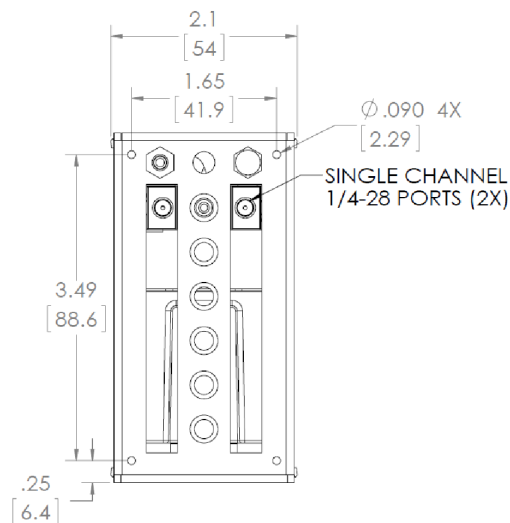
POWER REQUIREMENT

24 V, 0,75 A DC

MOLEX 2-pin 39-01-2025

Part Number	Number of Channels	Channel Volume
0001-6683	2	285 µl
0001-6685	4	285 µl
0001-6687	6	285 µl

Detailed chamber and pump data can be found on page 3



Stand Alone Configuration

CHAMBER TECHNICAL DATA

Degassing Channel Tubing: Systec AF™
Degassing Channel Volume: 285 ul / channel (18 inches)
Degassing Channel Pressure Rating: 70 PSIG
Wetted Materials: Systec AF™, PPS, PEEK and Glass-filled PTFE
Vacuum Housing Material: Glass-filled PPS (Polyphenylene Sulfide)
Hardware Material: Stainless Steel
Liquid Connections: 1/4" - 28 UNF-1B
Vacuum Connections: Barb connector for 1/8" ID elastomeric tubing
Passage Size: 0.035" (0.889 mm) diameter
Degasser Nominal Performance: 2mL/ min per channel

VACUUM PUMP TECHNICAL DATA

Air Flow (no vacuum): 580 SCCM @ 250 RPM; 140 SCCM @ 60 RPM
Vacuum Performance Specification: <150 mmHg (20kPa) @ 120 RPM & 1 SCCM air flow (Test Criteria)
Pump Head Continuous Purge Air Flow Rate: 11 SCCM
Materials in Fluid Path: Stainless Steel, Polypropylene, PTFE, EPDM Rubber, PPS
Expected Lifetime: >6 years (continuous run @ 100 RPM 12 hours/day 365 days/year)

REGULATORY COMPLIANCE INFORMATION

As of the date of publication, this product is compliant with current RoHS and WEEE regulations.

LED INDICATORS

Blinking Rate: 125 ms on, 125 ms off, using a Single Bi-Color LED
Power on, vacuum above control range: Amber Blinking
Vacuum reaches upper control range: Green Blinking
Vacuum reaches control set point: Green Solid
Error Condition, Shutdown: Amber Solid

ERRORS DETECTED

- 1 Pumpdown: Unable to reach 120 mmHg (16kPa) in 10 minutes.
- 2 High Vacuum: Vacuum >200 mmHg (26.7kPa) for > 10 min.
- 3 Sensor Signal: Sensor >800 mmHg (106.7kPa) or <10 mmHg (1.3kPa).

PUMP CONTROL SPECIFICATIONS

Power Requirements: 24 VDC @ 0.75 Amp max. (<0.5 Watt typical)

VACUUM SENSOR CALIBRATION ACCURACY (NIST Traceable)

5 mmHg absolute over an ambient operating temperature range of 10-35°C.
Closed-Loop Control Setpoint 120 mmHg (16kPa) absolute (pump runs at high RPM until near setpoint, then speed is varied to maintain a value of 120 mmHg (16kPa) absolute load independent).



GENERAL SPECIFICATIONS

Dimensions:
W 54 L 166 H 111 mm

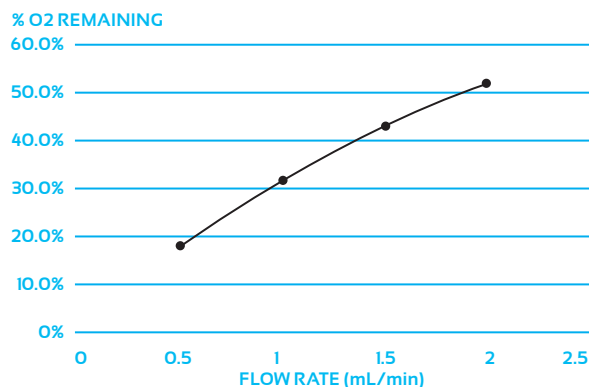
POWER REQUIREMENT

24 V, 0,75 A DC
Panel mount 2,1mm Barrel Jack connector

PART NO DESCRIPTION

0004-2285	2-channel 285µl Biotech DEGASi Compact Stand Alone Degasser
0004-4285	4-channel 285µl Biotech DEGASi Compact Stand Alone Degasser
0004-6285	6-channel 285µl Biotech DEGASi Compact Stand Alone Degasser

DEGASSER (1 CHANNEL) NOMINAL PERFORMANCE CHART





View from our office windows

BIOTECH

Biotech Sweden is a company highly specialized in chromatography accessories and consumables. Biotech is located on the Swedish Westcoast – south of Gothenburg – at the beautiful Onsala peninsula, covering 15.000 sq.m. land and 700 sq.m. production and office area.

A SIMPLE PHILOSOPHY...

We at Biotech believe that value is not "the lowest price" – our customers are the reason we exist – our customers always come first. We have not lost sight where we come from and therefore we try harder to be your partner, we're not satisfied unless you are satisfied.

Thank you for your business. I know we'll continue to grow and prosper together.

Affiliated companies: Biotech USA LLC
281 County Road C2W,
Roseville MN 55113, USA
bmathieu@biotechusa.us

BioNik Inc.
3397-19 Obuchi
Fuji, Shizuoka 417-0801
Japan
TEL +81-545-38-9125
info@bionikinc.com
www.bionikinc.com

We accept Visa® and MasterCard®
- no minimum order.



Biotech AB. P.O. Box 133, SE-439 23 Onsala, Sweden.
Telephone +46 (0)300-56 91 80. Fax +46 (0)300-56 91 81
info@biotech.se – www.biotech.se

